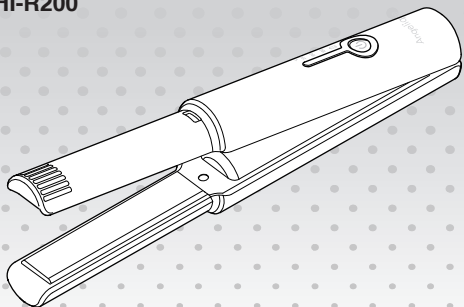


Cordless Hair Iron
MXHI-R200



User Manual

Thank you very much for buying this product. Please read the user manual in advance and use the product safely. Please take reference to the attached appendix if there is any.

Introduction

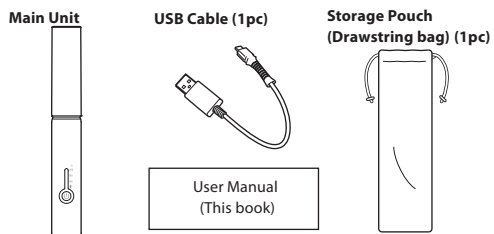
About the user manual

- Contents of this user manual might be changed in the future without prior notice.
- For product improvement, change of appearance or specification might not be announced in advance.
- Except for personal use, any unauthorized copying of part or all parts of this manual is prohibited. Unauthorized republication is strictly prohibited.

Disclaimer (See the warranty certificate for details of the warranty.)

- Maxell shall not be responsible for any damage caused by fires, earthquakes, action of a third party, any accidents, intended or unintended misuse or other usage under abnormal conditions.
- All explicit and implicit contents not stated in the warranty card are not covered.
- Maxell shall not be responsible for failure due to any damage caused by usage other than described in the instruction manual.
- Maxell shall not be responsible for any loss resulted from malfunction when connecting to interconnecting devices.
- This product is not being designed to be any equipment or device which could be concerned with human life such as medical device, nuclear device, astronomic device, transportation device etc., nor equipment or devices which requires high reliability. In case this product is used for the above equipment and/or systems, Maxell do not be responsible for any injuries or fire accident cause by the failure of this product.

Items



Safety Caution

To prevent personal injury or property damage to the user or the people around, and to use this product correctly, please read this "Safety Cautions" carefully.

Classification of indication In this user manual, the items that must be observed are classified as follows.

Warning	Content that may result in death or serious damage	Caution	Content that may injure a person or damage an object
Example of symbols	Things you need to be careful of	Things you should not do	Things you must do

Danger

Take power only from the USB port
When charging, please use USB port of computer etc. or USB adapter. Using other power exceeding USB rating may result in heat generation, ignition, malfunction, electric shock or injury.

Do not touch leaked liquid
Please do not touch the leaked liquid. If liquid leaks from this device and gets into the eye, do not rub. Rinse with plenty of clean water immediately and consult a doctor. It may cause blindness.

Warning

Do not disassemble, repair or remodel
This may cause fire or injury.

Do not soak, sprinkle, or wash with water
This may cause a short circuit, malfunction or fire.

Do not use if the USB cable or USB plug is damaged, discolored, or loosely inserted
It may cause a short circuit, smoke or fire.

Do not allow children to use by themselves or use it within reach of infants
It may cause burns or injury.

Warning

Do not damage, forcibly bend, pull, twist, bundle, place heavy objects, pinch, modify, or bring the USB cable close to heat source
The cable may be damaged, it may cause short circuit, smoke, fire or burns.

Only use USB power supply to charge
It may cause smoke or fire.

Do not use near flammable materials (gasoline, benzine, thinner, spray, etc.)
It may cause a fire or an explosion.

Do not use the product in locations with high humidity such as a bathroom
Deterioration of insulation may cause short-circuit, smoke or fire.

Do not use or connect / disconnect the power plug with wet hands
It may cause a short circuit, electric shock, or injury.

Charge and use within the temperature range of 0~45°C
Charging and using at temperatures outside this range may cause leakage, overheating, breakage, or malfunction.

If the charging is not completed within the predetermined charging time, please stop charging
It may cause leakage, overheating, fire or breakage.

Make sure that the AC adapter is fully inserted
If it is not fully inserted, it may cause an electric shock or a fire due to dust.

If an abnormality occurs during charging, immediately disconnect the AC adapter from the outlet
Failure to do so may cause smoke, fire, explosion or malfunction.

Caution

Do not allow pins or dust to adhere to the USB plug
There is a risk of short circuit and fire.

Do not wrap the cable around the main unit
It shortens the life of the cord and may cause a short circuit or fire.

Do not apply cosmetic products such as hair styling products directly to the heating plate or main unit, and do not use this product when hair dressing is on your hands
There is a risk of burns, discoloration, or malfunction.

Do not use this product for anything other than human hair (wigs, extensions, etc.), infants or pets, etc.
There is a risk of burns, fire, or malfunction.

Do not apply excessive force to the grip or plate
There is a risk of failure.

Do not clamp your hair for a long time
It may damage your hair or overheat and ignition.

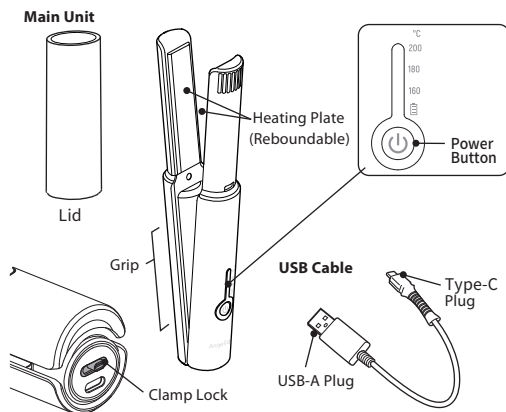
Do not use near walls or furniture
The heat can damage walls and furniture, and may cause deformation, discoloration, and fire.

Do not touch high temperature parts during use or after use for a while
Due to high temperature, there is a risk of burns.

Do not drop or hit
There is a risk of failure or fire.

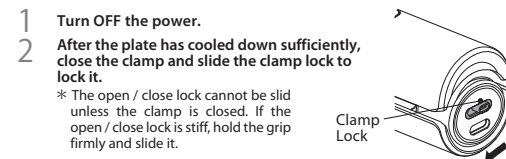
Be careful not to pinch your fingers when opening and closing the plate
There is a risk of injury or burns.

Name of Parts



How to Store

- Be sure to turn off the power switch, and allow the plate to cool down sufficiently. (30 minutes or more)
- Keep out of the reach of children.
 - * There is a risk of burns, electric shock, or injury.
- Do not store in the bathroom or in a humid place.
 - * There is a risk of fire, smoke, or short circuit due to insulation deterioration.
- Do not wrap the cable around the main unit for storage or store the cable in a twisted state.
 - * There is a risk of fire, smoke, burns, and short circuit due to tension build inside the cable making wires inside the cable break off. If it is twisted, straighten it before storing.



Troubleshooting

Phenomenon	Cause	Solution
LED does not light On	Battery is empty	Please charge
Heating plate temperature does not rise or rise very slow	The clamp is not locked	The temperature will rise slowly when the clamp is open
Clamp lock cannot be operated	The clamp is open	Please close the clamp and then lock it
	The lock is difficult to slide	Hold the grip firmly, and slide the clamp lock
There is a burning smell from other parts than the heating plate	Short circuit of internal parts	Stop using immediately
The charging time is too long	USB power supply is insufficient	Use a USB power supply or mobile battery with a rated output of 5V/2A or higher

Charging

This product has a built-in lithium ion battery. After purchase, please charge the battery before use.

1. Connect the included charging cable to the USB port of the main unit and your PC or AC adapter with USB terminal. (Packaging accessories do not include AC power adaptor)
2. The red LED flash and charging starts.
3. When the green LED lights up, charging is complete. (charging time: approx. 3 hours)
4. Remove the charging cable.

Battery display (While charging)

Battery is lesser than 50%	Red Light Flash
Battery is greater than 50%	Green Light Flash
Charging complete	Green Light On

Caution

- Charging time is approximately 3 hours. (Charging time varies depending on the remaining battery capacity and charging environment.)
- Hair iron will be switched off automatically and button operation will be disabled during charging.
- Only use the included charging cable.
- Charge the battery in an environment of 0-45°C
- If not used for a long period, charge it once every 3 months. Otherwise, the battery may deteriorate and cannot be used.

Maintenance

Caution Before cleaning, be sure to turn off the power switch, unplug it, and allow the plate to cool down sufficiently. (30 minutes or more)

- To clean the main unit and USB cable, soak a cloth in a neutral detergent diluted with water, wring it out and then wipe it off.
 - * Never use benzene, thinner, kerosene, gasoline, alcohol, etc. as they may damage plastic parts and may cause fire or electric shock.



How to Use

Before use

- If the hair is wet, dry it before using.
 - * If your hair is wet, you will not be able to style your hair properly.
- If you have dyed your hair with a hair manicure, etc., please use it after the hair is completely dry.
 - * If your hair is wet, the pigment will come off and the iron will get dirty.
- If you have dyed your hair with a hair dye, please wait 2-3 days before using.
 - * There is a risk of damaging your hair.
- When using an iron, do not use hair straighten agents, perm solutions containing reducing agent, or curly hair straighten agent.
 - * There is a risk of hair damage or cause a malfunction.
- Make sure that each part is not deformed or damaged before using it.
- Do not hold the plate in the same part of hair during using.
 - * There is a risk of damaging your hair.
- The area around the plate is extremely hot. Please use it away from your face.
 - * There is a risk of burns. Be careful not to touch your face, ears, nape or hands.
- If hair styling products or cosmetics adhere to the main unit, immediately wipe them off with a dry cloth.
 - * There is a risk of damage to the main unit.
- Do not use on severely damaged hair.
 - * There is a risk of hair breakage and hair burning.

Caution

Basic usage

- 1 Remove the lid.
- 2 When the heating plate is locked, press and hold the power button for 3 seconds to turn on the iron

Temperature display (Basic usage)

Heating up	Red Light Flash
Reach temperature	Red Light On

Battery display (When in use)

Battery is greater than 50%	Green Light On
Battery is lesser than 50%	Red Light On
Low Battery (<10%)	Red Light Flash

- The power light turns on and the heating plate starts to heat.

Caution The heating plate and surrounding area becomes very hot. Be careful not to touch the skin.

Please do not touch this part.

- 3 Wait until the set temperature is reached
 - It will reach approx. 160°C in 2 minutes, approx. 180°C in 2 minutes 30 seconds and approx. 200°C in 3 minutes. (Depends on the room temperature at the time of use)

- 4 Gently hold the grip and slide the clamp lock to unlock the iron

- If the power is turned on with the iron open, it may take some time to reach the set temperature.

- 5 Brush and straighten the flow of hair

- 6 Style your hair
 - Try it at a low temperature until you get used to the operation. There is a risk of hair breakage and burning.
 - When styling, be careful not to touch the heating plate and surrounding area. There is a risk of burns.
 - When clamping the hair, do not hold the plates in the same part and please slide through your hairs. Otherwise, there is a risk of hair damage.
 - If you want to temporarily put down the main unit during use, please place it on a flat table. * Do not place on flammable materials.

Caution

- 7 After use, press and hold the power button for 3 seconds to shut down

- To prevent you from forgetting to shut it down, it would shut down automatically in approx. 30 minutes after power on.

- 8 Lock the clamp
 - With the clamp closed, slide clamp lock to lock it.

Caution

- Just after use, the heating plate is still hot. Even when the plates are closed, there is a risk of burns or fire. Therefore, please clean and store the hair iron in the pouch after the heating plate have cooled down sufficiently. (Above 30 mins)
- Do not place near flammable or heat-sensitive objects.

Note: For safety reasons, after pressing and holding the power button for 3 seconds to turn on the iron, if you do not release and press the button for 10 seconds, the iron will automatically shut down to prevent accidentally touched.

How to Use

How to straighten your hair

- 1 Take about 3 cm of hair bundle and place it in the center of the heating plate

- The amount of hair bundles taken at one time should not exceed the heating plate.
- When you clamp your hair, do not stop in the same part for a long time.



- 2 Slowly slide to the tip of the hair at the same speed

- Keep the plates at least 3 cm away from the skin.
- The effect of straightening varies from person to person, depending on the hair quality and the degree of curling.
- There is no straightening effect on curly hair.



- 3 Perform the above steps (1 and 2) on the entire hair

How to curl your hair

- 1 Take about 3 cm of hair bundle from the position where you want to curl and place it in the center of the heating plate

- The amount of hair bundles taken at one time should not exceed the heating plate.
- When you clamp your hair, do not stop at the same part for a long time.



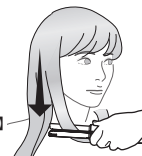
- 2 Make a half turn while clamping the hair bundle

- Keep the plates at least 3 cm away from the skin.
- If you want inward curling, rotate the hair tip half a turn toward your face.
- If you want outward curling, rotate the hair tip half a turn outward.



- 3 Gently slide the iron toward the ends of the hair

[The figure shows the inward curling]



- 4 Perform the above steps (1 to 3) on the entire hair

Request for Regular Inspection

The hair iron have its product life times. Please check regularly to prevent accidents due to the product life.

Be sure to check the wireless portable hair iron that have been used for several years!

Are there any of these symptoms?

- Sometimes the heating plate is not hot.
- Charging is intermittent.
- It smells burnt.
- There are other abnormalities and failures.

Stop use if there is any abnormality

To prevent malfunction or accident, stop using it. Repairing by yourself is dangerous. Please do not perform any repair by yourself.

Specification

[Main Unit]

Input	: Type-C DC 5V/ 2A
Temperature	: Approx. 200°C/ Approx.180°C/ Approx.160°C
Usage time*	: Approx. 40mins for 160°C Approx. 35mins for 180°C Approx. 30mins for 200°C *(Depends on the hair style/ length and the room temperature at the time of use)
Dimension	: 241x33x38mm (Clamp lock is locked)
Weight	: Approx. 261g
Operation temperature	: 0 ~ 45°C

[Accessories]

USB cable	: USB-A-Type-C, approx.1m
Storage pouch (drawstring bag)	: Approx. 27.5x9cm

*The names, logos, and service marks are registered trademarks or trademarks of maxell or other companies.

Precautions when carrying it on your trip

This rechargeable hair iron may not be allowed to be brought on board a plane whether it is cabin baggage or check in baggage. For more details, please check with the airline and departure airport.

Maxell Asia, Ltd.

<http://www.maxell.com.hk>

Maxell, Ltd.

<http://www.maxell.jp>